

**M12 male 0° / M12 male, 0°, shielded, Ethernet**

PUR 2x2xAWG22 shielded vt UL,CSA+dragchain 0,3m

Ethernet CAT5e

Male straight – male straight

M12 – M12, 4-pole

D-coded

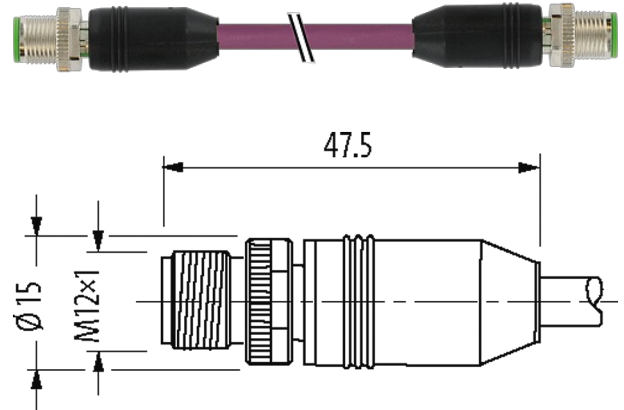
shielded

Further cable lengths on request.

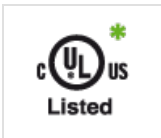
Plastic housings with good resistance against chemicals and oils.

The resistance to aggressive media should be individually tested for your application. Further details on request.

Transmission properties with channel transmission up to 100 m

**Illustration**

Product may differ from Image

**Approvals**

\* only for products with UL/CSA approved cable

cCSAus

**More Info****Form**

Form 44511

**Cables**

|                           |                              |
|---------------------------|------------------------------|
| No./diameter of wires     | 2 × 2 × 0.34 mm <sup>2</sup> |
| Wire isolation            | PO (wh, ye, bl, or)          |
| C-track properties        | 3 Mio.                       |
| Material (jacket)         | PUR (UL/CSA)                 |
| Outer Ø                   | 6.7 mm ±5%                   |
| Bend radius (moving)      | 12 × outer Ø                 |
| Temperature range (fixed) | -40...+80 °C                 |

|                                    |  |
|------------------------------------|--|
| Temperature range (mobile)         | -30...+70 °C   |
| Cable identification               | 798  |
| Approval (cable)                   | UL (AWM-Style 20233/11602), CSA; CE  |
| Cable weight [g/m]                 | 68,64  |
| Material (wire)                    | Cu wire, bare  |
| Resistor (core)                    | max. 55 Ω/km (20 °C)   |
| Single wire Ø (core)               | 0.15 mm  |
| Construction (core)                | 19× 0.15 mm (multi-strand wire class 5)  |
| Diameter (core)                    | 2× 2× AWG22/7 (0.355)  |
| AWG                                | similar to AWG 22  |
| Material (wire isolation)          | PO   |
| Material property (wire isolation) | CFC-, halogen-, cadmium-, silicone- and lead-free  |
| Wire-Ø incl. isolation             | 1.4 mm ±5%   |
| Color/numbering of wires           | wh, ye, bl, or   |
| Shield                             | yes  |
|                                    | min. 80%   |
| Material (jacket)                  | PUR  |
| Material property (jacket)         | CFC-, cadmium-, silicone- and lead-free, matt, low-adhesion, machine easy to process, abrasion-resistant |
| Shore hardness (jacket)            | 85 ±5 A  |
| Outer-Ø (jacket)                   | 6.7 mm ±5%   |
| Color (jacket)                     | violet   |
| chemical resistance                | good resistance to oil, gasoline and chemicals   |
| thermal resistance                 | flame retardant  |
| Nominal voltage                    | 300 V  |
| Temperature range (fixed)          | -40...+80 °C   |
| Temperature range (mobile)         | -30...+70 °C   |
| Bend radius (fixed)                | 5× outer Ø   |
| Bend radius (moving)               | 12× outer Ø  |
| No. of bending cycles (C-track)    | max. 3 Mio. (25 °C)  |
| Traversing distance (C-track)      | max. 5 m (horizontal)  |
| Travel speed (C-track)             | max. 3.3 m/s   |
| Acceleration (C-track)             | max. 2 m/s <sup>2</sup>  |
| Jacket Color                       | violet   |

#### Technical Data

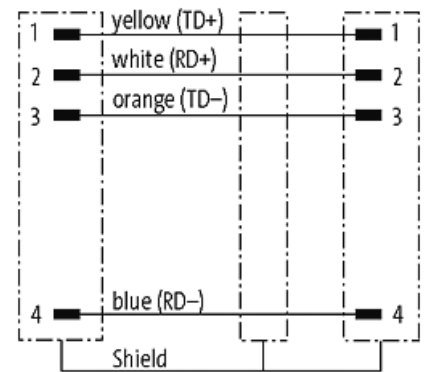
|   |  |
|---|--|
| Operating voltage                         | max. 60 V DC   |
| Operating voltage (only UL listed)        | max. 30 V DC   |
| Rated surge voltage                       | 1.5 kV   |
| Operating current per contact             | max. 4 A   |
| Material group                            | IEC 60664-1, category I  |
| Transfer parameters                       | CAT5e, Class D (ISO/IEC 11801:2002), (EN 50173-1)                |
| Transfer rate                             | up to 100 Mbit/s full duplex                                     |
| Coding                                    | D-coded  |
| Locking of ports                          | Screw thread (M12×1 mm) recommended torque 0.6 Nm, self-securing |
| Compression gland                         | M12 (SW13)   |
| Protection                                | IP65, IP66K, IP67 inserted and tightened (EN 60529)              |
| Locking material                          | Zinc die casting, matte nickel plated                            |
| Material                                  | PUR  |
| suitable for corrugated tube (internal Ø) | without  |

#### General data

|                   |  |
|-------------------|--|
| Standards         | DIN EN 61076-2-101 (M12)                 |
| Pollution Degree  | 3  |
| Mounting method   | inserted, tightened                      |
| Temperature range | -25...+85 °C, depending on cable quality |

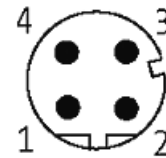
**Commercial data**

|                       |               |
|-----------------------|---------------|
| country of origin     | DE            |
| customs tariff number | 85444290      |
| EAN                   | 4048879472296 |
| eClass                | 27061801      |
| Packaging unit        | 1             |

**Sketch**

Male

Male



Product may differ from Image